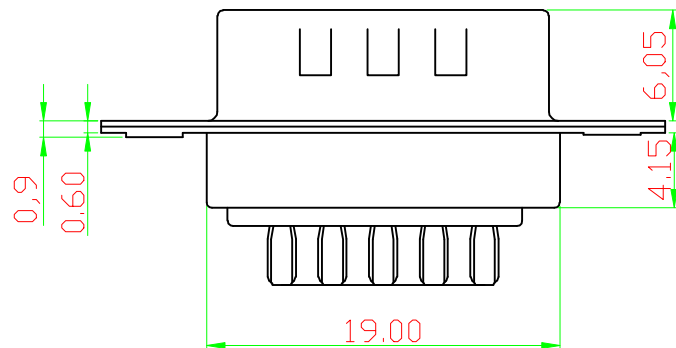
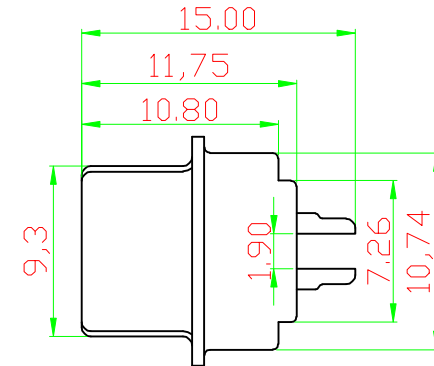
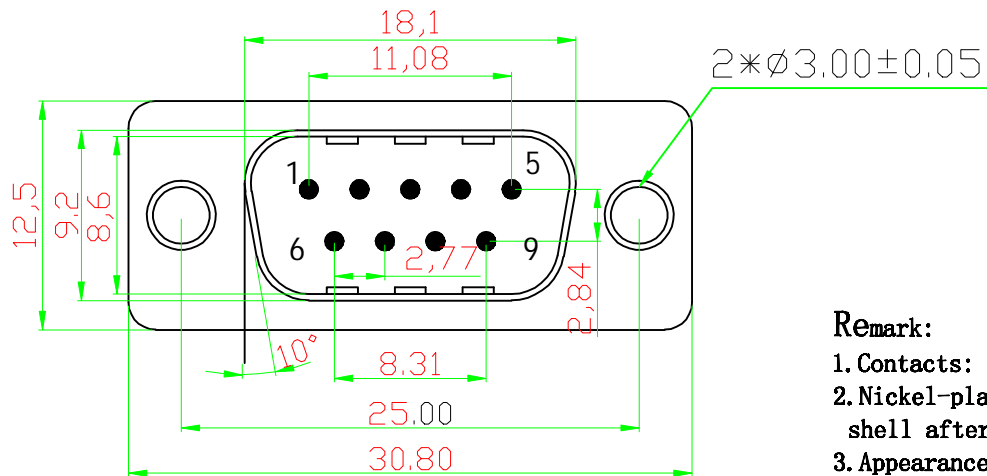


NOTE: ALL MATERIAL COMPLIANT ROHS STANDARD

REVISION INFORMATION			
Rev.	Rev. Date	Modified By	Brief Description
001	2022. 4. 16	LWZ	ADD Point marked



**Remark:**

1. Contacts: Bronze pure tin plating
2. Nickel-plated steel shell before the shell after shell steel tin
3. Appearance requirements:
  - 1: No loose plastic parts. Breakage
  - 2: Metal parts without deformation. No damage, coating well. No black. Corrosion phenomenon
  - 3: Terminal bell no offset. Pin height the same, no skew phenomenon.
4. Salt Requirements:
  - 1: Copper plated:12HourNSS
  - 2: Copper (steel) Nickel:12HourNSS
5. Products using Blister Packaging, each bag 50PCS, can not appear pin, Housing without damage; mixing; sprawl. Packing Packed in a dry, moisture. Dust and mildew in the box. Storage period not exceeding two years from the date of manufacture.

**LANshack**  
Sales@LANshack.com | 888-568-1230

NO.	PART NAME	SPECIFICATION DESCRIPTION	QTY	UNIT
③				
②				
①				

<b>DRAWN BY</b>	<b>DATE:</b> 2022. 4. 16	<b>DESCRIPTION:</b> DB9 Male Solder Cup Connector 9 Pin for Custom Pinout	
<b>CHECKED BY</b>	<b>SHEET 1 of 1</b>	<b>ITEM NO.</b> LSBL-CON-DB9-M-SC	
<b>APPROVED BY</b>	<b>SCALE 1:1</b>	<b>REV. 00</b>	<b>UNIT: mm</b>